

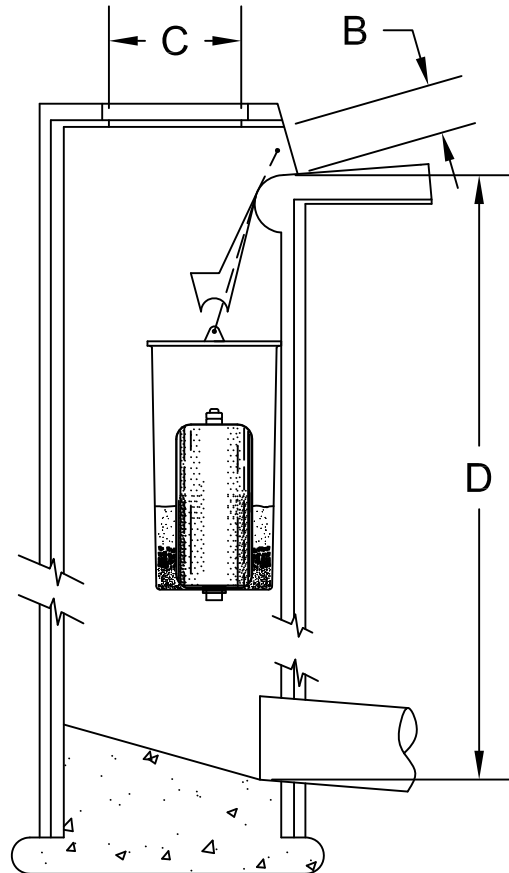
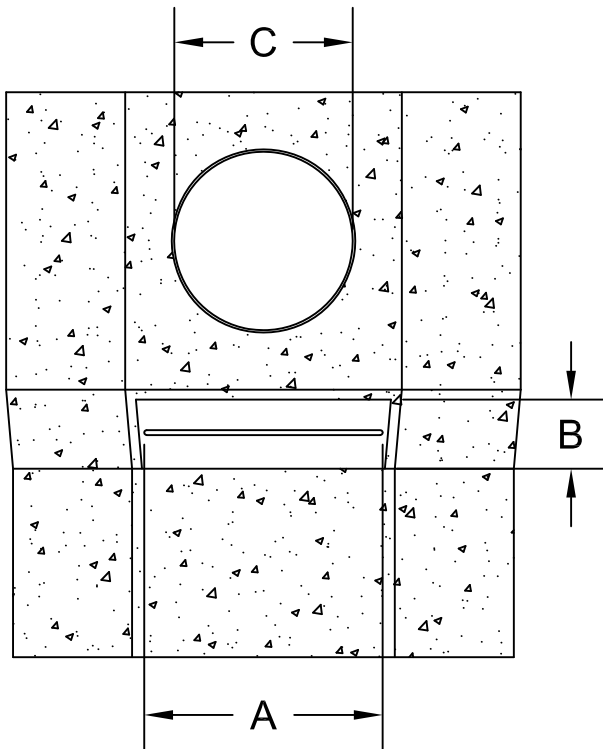
The following information is required for proper installation of the Water Decontaminator.

A: Width of curb inlet _____

B: Height of curb inlet _____

C: Inside width cover _____

D: Depth of catch basin _____



The WATER DECONTAMINATOR

Installation Guide
Curb Inlet Catch Basin

Inventive Resources, Inc.

5038 Salida Blvd. PO Box 1038
Salida CA 95368

Phone 209.545.1663
Fax 209.545.3533

DRAWING NO. WDS-08

DATE

Sheet 1 of 1