

The following information is required for proper installation of the Water Decontaminator.

Round Rectangular Overflow

A: Outside width of grate _____

B: Outside length of grate _____

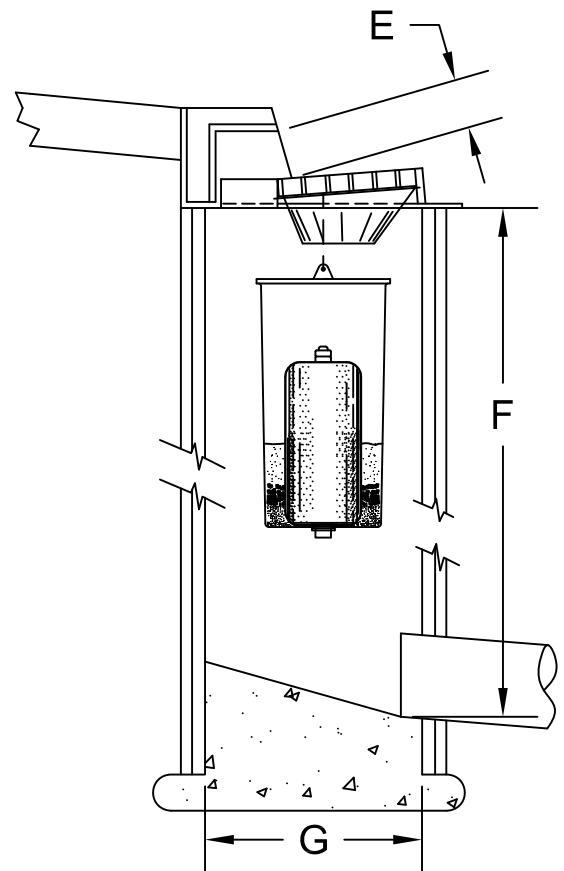
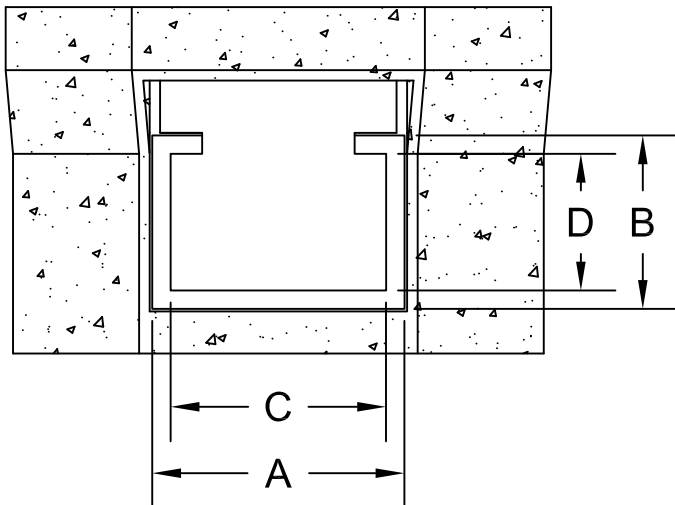
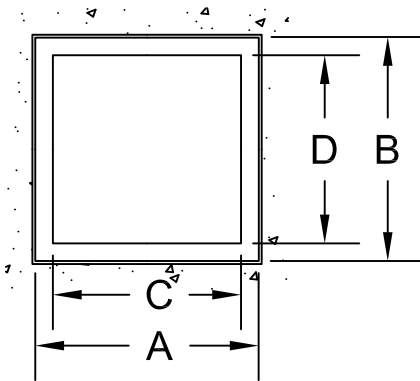
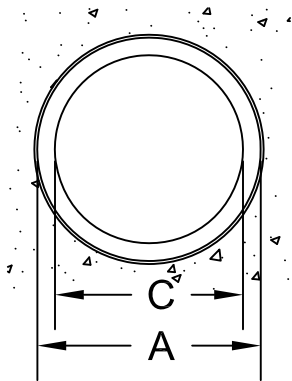
C: Inside width of opening _____

D: Inside length of opening _____

E: Height of curb inlet _____

F: Depth of catch basin _____

G: Diameter of catch basin _____



The WATER DECONTAMINATOR

Installation Guide
Valley Inlet Catch Basin

Inventive Resources, Inc.

5038 Salida Blvd. PO Box 1038
Salida CA 95368

Phone 209.545.1663
Fax 209.545.3533

DRAWING NO. WDS-05

DATE

Sheet 1 of 1